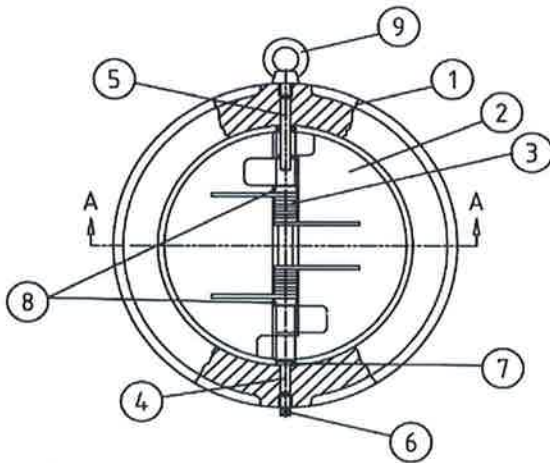


# HAH

## Ductile Iron Wafer Check Valve comply to BS 5153:1974

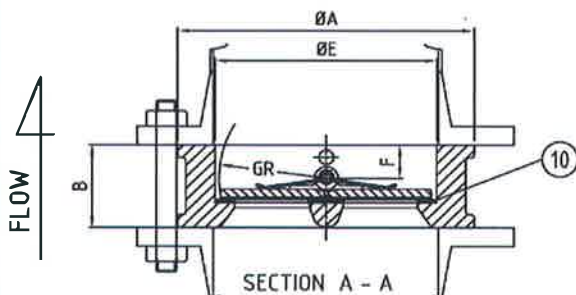


- Small in size, easy to install and maintain
- Two torsion springs are used on each of the disc plate, which close the disc quickly & automatically
- The quick-close action prevents the medium from flowing back and eliminates water hammering effect
- High quality Ductile Iron material, fusion bonded internally and externally
- Valve operates in both horizontal and vertical positions
- Suitable for Water, Warm water & Weak Acid



S/No	Part Name	Material
1	Body	Ductile Iron
2	Disc	CF8
3	Spring	SS304 / SS316
4	Hing Pin	SS304 / SS316
5	Stop Pin	SS304 / SS316
6	Plug	Carbon Steel
7	Body Bearing	SS304 / PTFE
8	Spring Bearing	SS304 / PTFE
9	Eye Bolt	Carbon Steel
10	Body Seat	EPDM / NBR

Note: Lifting eye bolt is fitted for size DN200 & above



Nominal Pipe Size	External Diameter PN10/16 ØA	Internal Diameter ØE	Face To Face B	Max. Working Pressure	Max. Working Temp.
mm	Inch	mm	mm	Bar(10°C)	°C
50	2"	107	65	16	70
65	2.5"	127	80	16	70
80	3"	142	94	16	70
100	4"	165	117	16	70
125	5"	192	145	16	70
150	6"	218	170	16	70
200	8"	273	224	16	70
250	10"	328	265	16	70
300	12"	378	310	16	70
350	14"	438	360	10	70
400	16"	489	410	10	70

**GRANDE ALLIANCE CORPORATION PTE LTD**

• No 8 Defu Lane 8, S(539313) • Website: [www.grandealliance.com.sg](http://www.grandealliance.com.sg) • Email: [info@grandealliance.com.sg](mailto:info@grandealliance.com.sg)